

Thor VM3A Computer - Configuration Guide

Indoor 400 NITS Display

INDOOR 400 NITS

DISPLAY



WiFi / BT



VM3A – Indoor RESISTIVE – INTERNAL Antenna

VM3A-LON-1A1A20E VM3A / Indoor Resistive / Android ML GMS / Client Pack / 4GB / 32GB / 802.11abgnac / Internal WLAN Antennas / Bluetooth



VM3A – Indoor CAPACITIVE – INTERNAL Antenna

VM3A-LON-1A4A20E VM3A / Indoor Capacitive / Android ML GMS / Client Pack / 4GB / 32GB / 802.11abgnac / Internal WLAN Antennas / Bluetooth

VM3A – Indoor RESISTIVE – EXTERNAL Antenna

VM3A-LON-1B1A20E VM3A / Indoor Resistive / Android ML GMS / Client Pack / 4GB / 32GB / 802.11abgnac / External WLAN Antenna Connections / Bluetooth

VM3A – Indoor CAPACITIVE – EXTERNAL Antenna

VM3A-LON-1B4A20E VM3A / Indoor Capacitive / Android ML GMS / Client Pack / 4GB / 32GB / 802.11abgnac / External WLAN Antenna Connections / Bluetooth

Honeywell Repair Services

SVCVM3A-SG3N VM3A, Edge Service, GOLD Maintenance Contract, 5 Day Turnaround, 3 Year, New Contract

Thor VM3A Computer - Configuration Guide

Defroster 400 NITS Display



-30°C

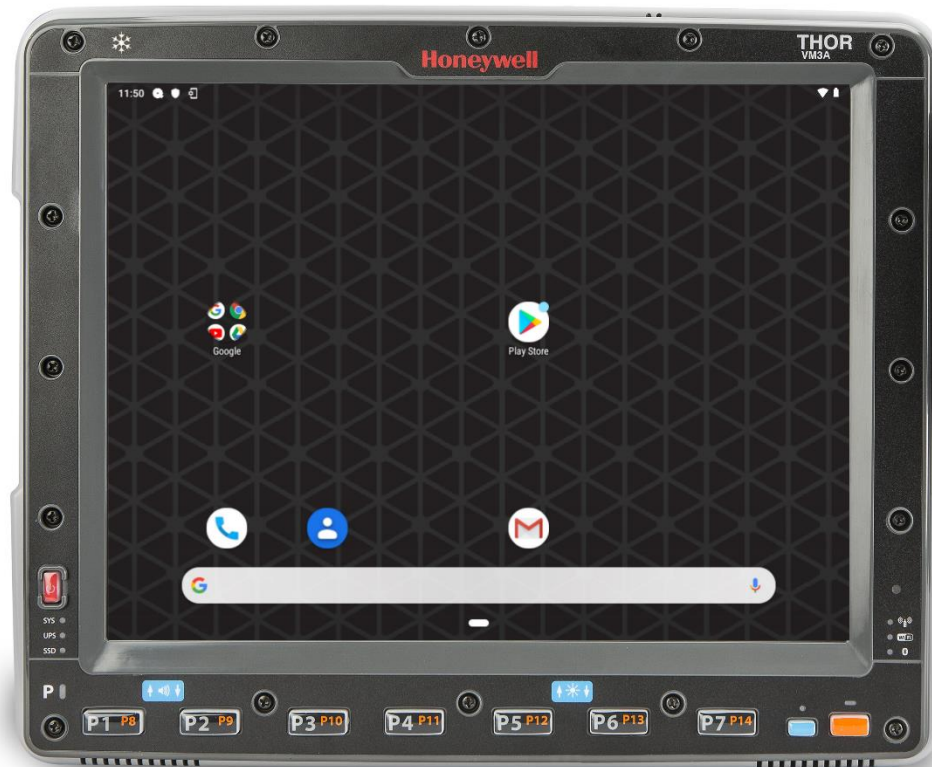


DEFROSTER 400 NITS

DISPLAY



WiFi / BT



VM3A – Defroster RESISTIVE – INTERNAL Antenna

VM3A-L0N-1A2A20E

VM3A / Defroster Resistive / Android ML GMS / Client Pack / 4GB / 32GB / 802.11abgnac / Internal WLAN Antennas / Bluetooth



VM3A – Defroster RESISTIVE – EXTERNAL Antenna

VM3A-L0N-1B2A20E

VM3A / Defroster Resistive / Android ML GMS / Client Pack / 4GB / 32GB / 802.11abgnac / External WLAN Antenna Connections / Bluetooth

Honeywell Repair Services

SVCVM3A-SG3N

VM3A, Edge Service, GOLD Maintenance Contract, 5 Day Turnaround, 3 Year, New Contract

Thor VM3A Computer - Configuration Guide

Outdoor 900 NITS Display



OUTDOOR 900 NITS



DISPLAY

WiFi / BT



VM3A – Outdoor RESISTIVE – INTERNAL Antenna

VM3A-LON-1A3A20E VM3A / Outdoor Resistive / Android ML GMS / Client Pack / 4GB / 32GB / 802.11abgnac / Internal WLAN Antennas / Bluetooth

VM3A – Outdoor CAPACITIVE – INTERNAL Antenna

VM3A-LON-1A6A20E VM3A / Outdoor Capacitive / Android ML GMS / Client Pack / 4GB / 32GB / 802.11abgnac / Internal WLAN Antennas / Bluetooth

VM3A – Outdoor RESISTIVE – EXTERNAL Antenna

VM3A-LON-1B3A20E VM3A / Outdoor Resistive / Android ML GMS / Client Pack / 4GB / 32GB / 802.11abgnac / External WLAN Antenna Connections / Bluetooth

VM3A – Outdoor CAPACITIVE – EXTERNAL Antenna

VM3A-LON-1B6A20E VM3A / Outdoor Capacitive / Android ML GMS / Client Pack / 4GB / 32GB / 802.11abgnac / External WLAN Antenna Connections / Bluetooth

Honeywell Repair Services

SVCVM3A-SG3N VM3A, Edge Service, GOLD Maintenance Contract, 5 Day Turnaround, 3 Year, New Contract

Thor VM3A Configuration Map

Bluetooth/ WiFi	WWAN	NFC	Memory & Keyboard	WLAN Antenna	Display & Touchscreen	Operating System	Application	Custom	Domain	Description	Notes
VM3A-											
L										802.11 a/b/g/n/ac/r/k/mc + Bluetooth 5.0	2x2 MIMO IEEE 802.11 a/b/g/n/ac/r/k/mc ; Wi-Fi certified V5.0 Bluetooth and BLE Supported Bluetooth Profiles: HFP,PBAP, A2DP, AVRCP, OPP, SPP, GATT
	0									No WWAN	
		N								Near Field Communication (NFC)	Integrated Near Field Communication
			-								
			1							4GB RAM, 32GB SSD, ANSI/5250	
				A						Internal WLAN antennas	
				B						External WLAN antenna connections	Requires External Antenna's to be ordered separately VM2276ANTENNA - Set of two VM2 Dual Band WLAN Whip Antennas OR VM1277ANTENNA - Remote 802.11 Dual Band Antenna Kit 15 Ft
					1					Indoor, Resistive	400 NITS Resistive Touch Screen
					2					Defroster, Resistive	400 NITS Resistive Touch Screen
					3					Outdoor, Resistive	900 NITS Resistive Touch Screen
					4					Indoor, Capacitive	400 NITS Projected Capacitive (PCAP) Touch Screen
					6					Outdoor, Capacitive	900 NITS Projected Capacitive (PCAP) Touch Screen
						A				Android (GMS)	Google Mobile Services (GMS) certified – Play Store
						B				Android (Non-GMS)	
							1			Standard Software Build	
							2			Device Client Pack (DCP)	Enterprise Browser and Launcher
								0		No Custom	
									E	World Wide	Argentina, Australia, Austria, Belgium, Brazil, Bulgaria, China, Columbia, Croatia, Cyprus, Czech Republic, Denmark, Dominican Republic, Egypt, Estonia, Finland, France, Germany, Greece, Honduras, Hong Kong, Iceland, India, Indonesia, Ireland, Italy, Japan, Jordan, Kuwait, Latvia, Liechtenstein, Lithuania, Luxembourg, Malaysia, Malta, Morocco, Netherlands, New Zealand, Norway, Oman, Poland, Portugal, Qatar, Romania, Russia, Saudi Arabia, Singapore, Slovakia, Slovenia, South Africa, South Korea, Spain, Sri Lanka, Sweden, Switzerland, Thailand, UAE, Ukraine, United Kingdom, Vietnam



Honeywell Repair Services

VM3A – Repair Services

Honeywell Edge Services give you the confidence of having leading-class technologies combined with service and support plans that are designed to keep you operational for longer.

Gold Repair Services – 3 Year

The most flexible contract in the industry. The Edge Services Gold Support contract allows you to select the right coverage for your organization, and includes 5-Day Depot Repairs and:

Service Overview

- Repair or replacement of damaged components, wear and tear, and accidental damage.
- Flexibility to add any Add-On Service
- Android Service - includes Android OS Upgrades, Maintenance Releases and Security Patches

Part#	Description
SVCVM3A-SG3N	VM3A, Edge Service, GOLD Maintenance Contract, 5 Day Turnaround, 3 Year, New Contract

Add-On Accessory Replacement Service

Provides replacement chargers, docks, charging cables, or scan handles should they be damaged or stop working.

SVCACC-MOB3	AddOn, Edge Service, Accessory Service, Mobility, 3 Year. Service covers VM docks, keyboards, cables, scan handles and antennas
-------------	---

Add-On Battery Replacement Service

Provides replacement batteries every 18 months after purchase.

SVCBATTERY-MOB3	AddOn, Edge Service, Battery Service, Mobility, 3 Year, 1 Replacement Battery over life of contract
-----------------	---

Add-On Device Replacement Service

Replacement devices should a device be damaged beyond repair.

SVCREPLACE-MOB3	AddOn, Edge Service, Device Replacement, Mobility, 3 Year
-----------------	---

Add-On Image Management Service

Ensures that when a device returns from being repaired, it has all the proper applications loaded back on the device.

SVCIMAGEMGMT-MOB3	AddOn, Edge Service, Image Service, Mobility, 3 Year
-------------------	--

Add-On Spare Management Service

Manages every aspect of your spare pool.

SVCSPAREMGMT-MOB3	AddOn, Edge Service, Advanced Exchange, Mobility, 3 Year. Customer owned spare pool, Minimum Purchase required, contact your local Honeywell Service Representative for more information.
-------------------	---

Add-On 2-Day Turnaround Depot Upgrade

Upgrade your Gold Maintenance Contract from 5-Day to 2-Day turnaround at the repair depot.

SVC2DAYDEPOT-MOB3	AddOn, Edge Service, 2-Day Depot Upgrade, 3-Year Agreement, Requires purchase of a 3 Year Gold Maintenance Contract.
-------------------	--

Platinum Repair Services – 3 Year

The Edge Services Platinum Support contract is the only total support contract in the industry today offering 2-Day Depot Repairs or Spare Pool Management with 3-year contract, that includes:

Service Overview

- Repair or replacement of damaged components, wear and tear, and accidental damage.
- SVCREPLACE-MOB3 - Replacement devices should a device be damaged beyond repair
- SVCACC-MOB3 - Accessory replacement service
- SVCBATTERY-MOB3 - Battery replacement service
- SVCSPAREMGMT-MOB3 - Spare pool management (optional, minimum quantity required)
- Telephone-based technical support
- Android Service - includes Android OS Upgrades, Maintenance Releases and Security Patches

Part#	Description
SVCVM3A-SP3N	VM3A, PLATINUM Contract, 3-Year, Initial Contract includes accessory replacement, battery refresh, 2-Day Depot or Spare Management and Android



Honeywell Repair Services

VM3A – Repair Services

Honeywell Edge Services give you the confidence of having leading-class technologies combined with service and support plans that are designed to keep you operational for longer.

Gold Repair Services – 5 Year

The most flexible contract in the industry. The Edge Services Gold Support contract allows you to select the right coverage for your organization, and includes 5-Day Depot Repairs and:

Service Overview

- Repair or replacement of damaged components, wear and tear, and accidental damage.
- Flexibility to add any Add-On Service
- Android Service - includes Android OS Upgrades, Maintenance Releases and Security Patches

Part#	Description
SVCVM3A-SG5N	VM3A, Edge Service, GOLD Maintenance Contract, 5 Day Turnaround, 5Year, New Contract

Add-On Accessory Replacement Service

Provides replacement chargers, docks, charging cables, or scan handles should they be damaged or stop working.

SVCACC-MOB5	AddOn, Edge Service, Accessory Service, Mobility, 5 Year. Service covers VM docks, keyboards, cables, scan handles and antennas
-------------	---

Add-On Battery Replacement Service

Provides replacement batteries every 18 months after purchase.

SVCBATTERY-MOB5	AddOn, Edge Service, Battery Service, Mobility, 5 Year, 2 Replacement Batteries over life of the contract
-----------------	---

Add-On Device Replacement Service

Replacement devices should a device be damaged beyond repair.

SVCREPLACE-MOB5	AddOn, Edge Service, Device Replacement, Mobility, 5 Year
-----------------	---

Add-On Image Management Service

Ensures that when a device returns from being repaired, it has all the proper applications loaded back on the device.

SVCIMAGEMGMT-MOB5	AddOn, Edge Service, Image Service, Mobility, 5 Year
-------------------	--

Add-On Spare Management Service

Manages every aspect of your spare pool.

SVCSPAREMGMT-MOB5	AddOn, Edge Service, Advanced Exchange, Mobility, 5 Year. Customer owned spare pool, Minimum Purchase required, contact your local Honeywell Service Representative for more information.
-------------------	---

Add-On 2-Day Turnaround Depot Upgrade

Upgrade your Gold Maintenance Contract from 5-Day to 2-Day turnaround at the repair depot.

SVC2DAYDEPOT-MOB5	AddOn, Edge Service, 2-Day Depot Upgrade, 5-Year Agreement, Requires purchase of a 5 Year Gold Maintenance Contract.
-------------------	--

Platinum Repair Services – 5 Year

The Edge Services Platinum Support contract is the only total support contract in the industry today offering 2-Day Depot Repairs or Spare Pool Management with 5-year contract, that includes:

Service Overview

- Repair or replacement of damaged components, wear and tear, and accidental damage.
- SVCREPLACE-MOB5 - Replacement devices should a device be damaged beyond repair
- SVCACC-MOB5 - Accessory replacement service
- SVCBATTERY-MOB5 - Battery replacement service
- SVCSPAREMGMT-MOB5 - Spare pool management (optional, minimum quantity required)
- Telephone-based technical support
- Android Service - includes Android OS Upgrades, Maintenance Releases and Security Patches

Part#	Description
SVCVM3A-SP5N	VM3A, PLATINUM Contract, 5-Year, Initial Contract includes accessory replacement, battery refresh, 2-Day Depot or Spare Management and Android




Honeywell Repair Services

VM3A – Repair Services

For Best-In-Class Service

VM3A



Warranty Cover Against Product Defect

BASIC Service

Gold Coverage:



- Accidental Damage
- Wear & Tear

Includes Replacement of:

- Stylus

Flexible GOLD Add-Ons ordered separately

- SVCACC-MOB3 Accessories


VM1001VMCRADLE
VM3001VMCRADLE

- SVCBATTERY-MOB3 Batteries
- SVCREPLACE-MOB3 Device Replacement
- SVCIMAGEMGMT-MOB3 Image Service
- SVCSPAREMGMT-MOB3 Advanced Exchange


GOLD Service

Platinum Coverage:


- Battery Replacement
- Coverage for Docks/ Chargers
- Android Service
- Accidental Damage
- Device Replacement
- Wear & Tear




Docks



Antennas




Keyboards




Battery

(3 Year – 1 replacement battery per VM3A)
(5 Year – 2 replacement batteries per VM3A)



Cables



Power Supplies

PLATINUM Service

Part#	Description
SVCVM3A-EXW3	VM3A, BASIC, 1-Year Warranty + 2-Year Extended Warranty
SVCVM3A-SG3N	VM3A, Edge Service, GOLD Maintenance Contract, 5 Day Turnaround, 3 Year, New Contract
ADD SVCACC-MOB3	AddOn, Edge Service, Accessory Service, Mobility, 3 Year. Service covers VM docks, keyboards, cables, scan handles and antennas
ADD SVCBATTERY-MOB3	AddOn, Edge Service, Battery Service, Mobility, 3 Year, 1 Replacement Battery over life of contract
ADD SVCREPLACE-MOB3	AddOn, Edge Service, Device Replacement, Mobility, 3 Year
ADD SVCIMAGEMGMT-MOB3	AddOn, Edge Service, Image Service, Mobility, 3 Year
ADD SVCSPAREMGMT-MOB3	AddOn, Edge Service, Advanced Exchange, Mobility, 3 Year. Customer owned spare pool, Minimum Purchase required.
SVCVM3A-SP3N	VM3A, Edge Service, PLATINUM Maintenance Contract, 2 Day Turnaround, 3 Year, New Contract

Thor VM3A Software

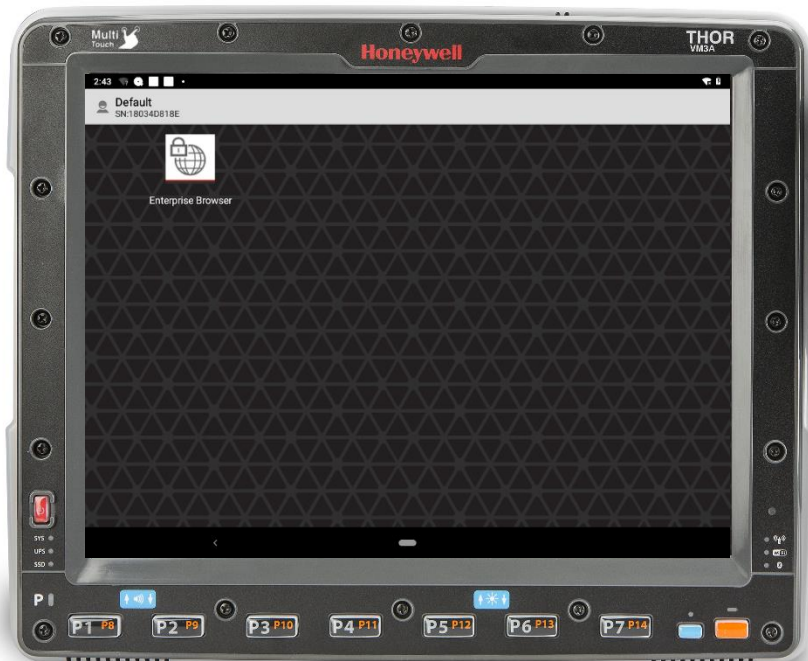
VM3A – Device Client Pack

Perpetual Licenses operate without expiration for the authorized software version features, and includes 1 year of Maintenance. Add on Maintenance separately.
 Term + Maintenance Licenses provide software operation, software new version features, and tech support, all for a defined period.

Device Client Pack



Launcher



Launcher - gives the customer total control over which apps can be run on the device.



Enterprise Browser



Enterprise Browser provides corporations the ability to run standard web applications from a controlled environment.

Part#	Description
DCP-001	Device Client Pack Perpetual License (DCP) includes 1 Year Software Maintenance. License covers Launcher, Enterprise Browser, BasicTE, and Mobility Web SDK. Purchase DCP-SFTx prior to maintenance expiring.
DCP-SFT1	Device Client Pack - 1 Year Term + Maintenance (Launcher, Enterprise Browser & BasicTE)
DCP-SFT3	Device Client Pack - 3 Year Term + Maintenance (Launcher, Enterprise Browser & BasicTE)
DCP-SFT5	Device Client Pack - 5 Year Term + Maintenance (Launcher, Enterprise Browser & BasicTE)

Order Separately



SmartTE Terminal Emulator



Terminal Emulator – Full featured SmartTE allows legacy green screen apps to be transformed to the look and feel of native apps. These clients are single session Honeywell TE Licensing. They can also utilize traditional single or multi-session StayLinked Licenses.

Part#	Description
SMARTTE-001	SMARTTE - SINGLE PATH W-1YR MAINT
SMARTTE-SFT3	SMARTTE - 3YR SW MAINTENANCE
SMARTTE-SFT5	SMARTTE - 5YR SW MAINTENANCE

Thor VM3A Forklift Install

Option 1 – Indoor 400 NITS - Internal Antenna - Tethered Scanner



Side View of VM3/
Keyboard Mount

10-60V



	Part Number	Description	Service
	1	VM3A-LON-1A1A20x VM3A Indoor <u>Resistive</u> / Internal Antenna / Client Pack	SVCVM3A-SG3N VM3A, Edge Service, GOLD Maintenance Contract, 5 Day Turnaround, 3 Year
	OR	VM3A-LON-1A4A20x VM3A Indoor <u>Capacitive</u> / Internal Antenna / Client Pack	SVCVM3A-SG3N VM3A, Edge Service, GOLD Maintenance Contract, 5 Day Turnaround, 3 Year
	2	VM3001VMCRADLE DOCK WITH INTEGRAL POWER SUPPLY, Enhanced I/O, 10 TO 60 VDC	SVCACC-MOB3 AddOn, Edge Service, Accessory Service, Mobility, 3 Year
	3a	VM2011BRKTKIT RAM mount kit, keyboard & VM3, <u>Round Base, Short arm</u> 5inch (128 mm)	3b VM2014BRKTKIT RAM mount kit, keyboard & VM3, <u>Clamp Base, Short arm</u> 5inch (128 mm)
	OR	VM2012BRKTKIT RAM mount kit, keyboard & VM3, <u>Round Base, Medium arm</u> 8.5inch (215 mm)	OR VM2015BRKTKIT RAM mount kit, keyboard & VM3, <u>Clamp Base, Medium arm</u> 8.5inch (215 mm)
	OR	VM2013BRKTKIT RAM mount kit, keyboard & VM3, <u>Round Base, Long arm</u> 13inch (330 mm)	OR VM2016BRKTKIT RAM mount kit, keyboard & VM3, <u>Clamp Base, Long arm</u> 13inch (330 mm)
	4	9000160KEYBRD Windows "Laptop" Style 95 key rugged keyboard with integrated 2 button mouse, USB Interface	
	5	1980iFR-3SER 1980iFR-3: 1D/2D, FR focus (EX20), red scanner (1980iFR-3), RS232	SVC1980I-SG3N Granit, Edge Service, Gold, 5-Day Depot, New 3-Year Contract
Optional	6	TOOLBAL Scanner take up reel/balancer	
Optional	7	VMHOLDER3K Vehicle Mount Kit	

Thor VM3A Forklift Install

Option 2 – Indoor 400 NITS - Internal Antenna - Bluetooth Scanner



Side View of VM3/
Keyboard Mount

10-60V

1980iFR

1D PDF POSTAL 2D

Part Number Description

1	VM3A-LON-1A1A20x	VM3A Indoor <u>Resistive</u> / Internal Antenna / Client Pack
OR	VM3A-LON-1A4A20x	VM3A Indoor <u>Capacitive</u> / Internal Antenna / Client Pack
2	VM3001VMCRADLE	DOCK WITH INTEGRAL POWER SUPPLY, Enhanced I/O, 10 TO 60 VDC
3a	VM2011BRKTKIT	RAM mount kit, keyboard & VM3, <u>Round Base, Short arm</u> 5inch (128 mm)
OR	VM2012BRKTKIT	RAM mount kit, keyboard & VM3, <u>Round Base, Medium arm</u> 8.5inch (215 mm)
OR	VM2013BRKTKIT	RAM mount kit, keyboard & VM3, <u>Round Base, Long arm</u> 13inch (330 mm)

Service

SVCVM3A-SG3N	VM3A, Edge Service, GOLD Maintenance Contract, 5 Day Turnaround, 3 Year	
SVCVM3A-SG3N	VM3A, Edge Service, GOLD Maintenance Contract, 5 Day Turnaround, 3 Year	
SVCACC-MOB3	AddOn, Edge Service, Accessory Service, Mobility, 3 Year	
3b	VM2014BRKTKIT	RAM mount kit, keyboard & VM3, <u>Clamp Base, Short arm</u> 5inch (128 mm)
OR	VM2015BRKTKIT	RAM mount kit, keyboard & VM3, <u>Clamp Base, Medium arm</u> 8.5inch (215 mm)
OR	VM2016BRKTKIT	RAM mount kit, keyboard & VM3, <u>Clamp Base, Long arm</u> 13inch (330 mm)

4	9000160KEYBRD	Windows "Laptop" Style 95 key rugged keyboard with integrated 2 button mouse, USB Interface
5	1981iFR-3	Scanner, 1D/2D, FR focus (EX25), red, Bluetooth Class 1, with vibrator **

SVC1981I-SG3N	Granit, Edge Service, Gold, 5-Day Depot, New 3-Year Contract
---------------	--

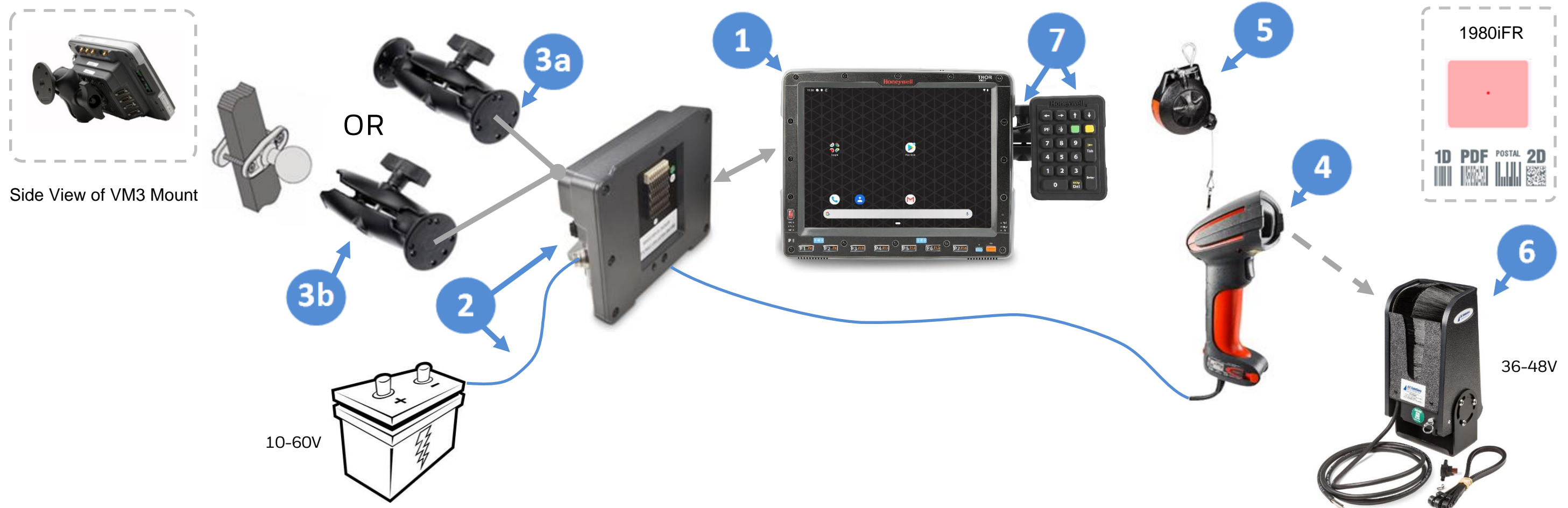
Optional 6 TOOLBAL Scanner take up reel/balancer

Optional 7 VMHOLDER3K Vehicle Mount Kit

**See Page 22 for 1981i Bluetooth Scanner Battery Chargers.

Thor VM3A Forklift Install

Option 3 – Freezer Install 36-48V - 400 NITS - Internal Antenna - Tethered Scanner



Part Number	Description	Service
1	VM3A-LON-1A2A20x VM3A Indoor <u>Resistive Defroster</u> / Internal Antenna / Client Pack	SVCVM3A-SG3N VM3A, Edge Service, GOLD Maintenance Contract, 5 Day Turnaround, 3 Year
2	VM3001VMCRADLE DOCK WITH INTEGRAL POWER SUPPLY, Enhanced I/O, 10 TO 60 VDC	SVCACC-MOB3 AddOn, Edge Service, Accessory Service, Mobility, 3 Year
3a	VM1001BRKTKIT RAM mount kit, <u>Round Base, Short arm</u> 5inch (128 mm)	3b VM1004BRKTKIT RAM mount kit, <u>Clamp Base, Short arm</u> 5inch (128 mm)
OR	VM1002BRKTKIT RAM mount kit, <u>Round Base, Medium arm</u> 8.5inch (215 mm)	OR VM1005BRKTKIT RAM mount kit, <u>Clamp Base, Medium arm</u> 8.5inch (215 mm)
OR	VM1003BRKTKIT RAM mount kit, <u>Round Base, Long arm</u> 13inch (330 mm)	OR VM1006BRKTKIT RAM mount kit, <u>Clamp Base, Long arm</u> 13inch (330 mm)
4	1980iFR-3SER 1980iFR-3: 1D/2D, FR focus (EX20), red scanner (1980iFR-3), RS232	SVC1980I-SG3N Granit, Edge Service, Gold, 5-Day Depot, New 3-Year Contract
5	TOOLBAL Scanner take up reel/balancer	
6	520L-3648-S3 SCANNER HEATER WITH CABLE RETRACTOR, <u>36V-48V</u> , works with 8500 and Granit series of scanners	
7	9000161KEYBRD THOR NUMERIC KEYPAD, 21 KEY, USB (Requires VM3010BRKTKIT for mounting).	
	VM3010BRKTKIT VM3 RAM mount kit for Numeric Keypad, two RAM balls and Arm (145mm, 5.7')	

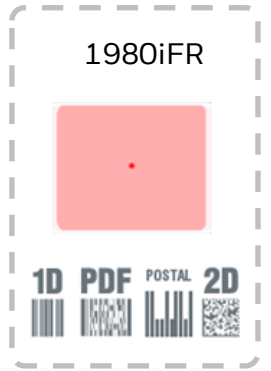
Thor VM3A Forklift Install

Option 4 – Outdoor 900 NITS - External Antenna - Tethered Scanner



Side View of VM3/ Keyboard Mount

10-60V



Part Number Description

1	VM3A-LON-1A3A20x	VM3A Outdoor Resistive / External Antenna / Client Pack
OR	VM3A-LON-1A6A20x	VM3A Outdoor Capacitive / External Antenna / Client Pack
2	VM3001VMCRADLE	DOCK WITH INTEGRAL POWER SUPPLY, Enhanced I/O, 10 TO 60 VDC
3a	VM2011BRKTKIT	RAM mount kit, keyboard & VM3, <u>Round Base, Short arm</u> 5inch (128 mm)
OR	VM2012BRKTKIT	RAM mount kit, keyboard & VM3, <u>Round Base, Medium arm</u> 8.5inch (215 mm)
OR	VM2013BRKTKIT	RAM mount kit, keyboard & VM3, <u>Round Base, Long arm</u> 13inch (330 mm)
4	9000160KEYBRD	Windows "Laptop" Style 95 key rugged keyboard with integrated 2 button mouse, USB Interface
5	1980iFR-3SER	1980iFR-3: 1D/2D, FR focus (EX20), red scanner (1980iFR-3), RS232
Optional 6	TOOLBAL	Scanner take up reel/balancer
7	VM2276ANTENNA	Set of two VM2 Dual Band WLAN Whip Antennas - attach directly to computer

Service

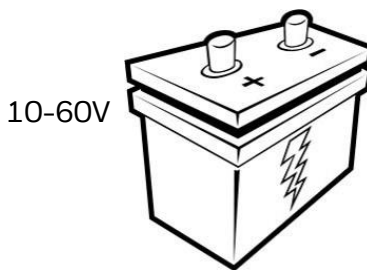
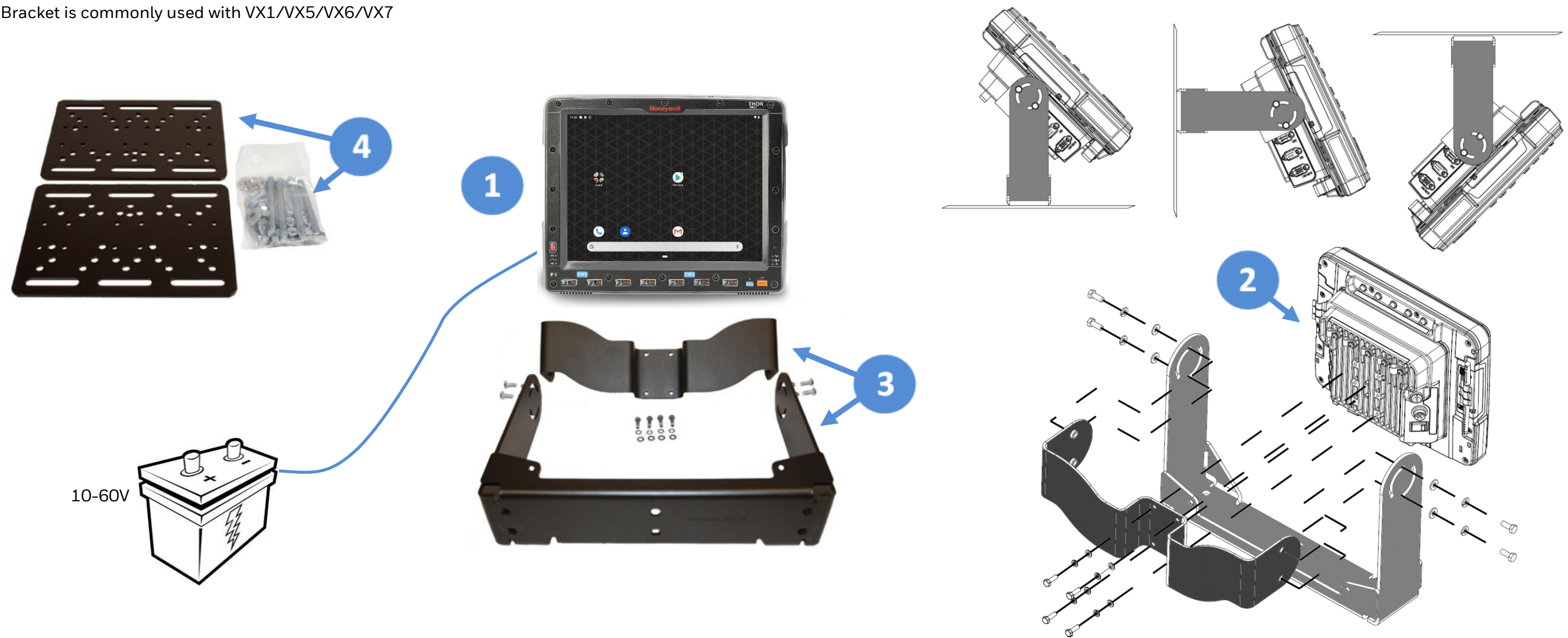
SVCVM3A-SG3N	VM3A, Edge Service, GOLD Maintenance Contract, 5 Day Turnaround, 3 Year	
SVCVM3A-SG3N	VM3A, Edge Service, GOLD Maintenance Contract, 5 Day Turnaround, 3 Year	
SVCACC-MOB3	AddOn, Edge Service, Accessory Service, Mobility, 3 Year	
3b	VM2014BRKTKIT	RAM mount kit, keyboard & VM3, <u>Clamp Base, Short arm</u> 5inch (128 mm)
OR	VM2015BRKTKIT	RAM mount kit, keyboard & VM3, <u>Clamp Base, Medium arm</u> 8.5inch (215 mm)
OR	VM2016BRKTKIT	RAM mount kit, keyboard & VM3, <u>Clamp Base, Long arm</u> 13inch (330 mm)
SVC1980I-SG3N	Granit, Edge Service, Gold, 5-Day Depot, New 3-Year Contract	

Optional

Thor VM3A Forklift Install

Option 5 – U-Bracket Mounting

U-Bracket is commonly used with VX1/VX5/VX6/VX7



	Part Number	Description	Service
	1	VM3A-LON-1A3A20x VM3A Outdoor <u>Resistive</u> / External Antenna / Client Pack	SVCVM3A-SG3N VM3A, Edge Service, GOLD Maintenance Contract, 5 Day Turnaround, 3 Year
	OR	VM3A-LON-1A6A20x VM3A Outdoor <u>Capacitive</u> / External Antenna / Client Pack	SVCVM3A-SG3N VM3A, Edge Service, GOLD Maintenance Contract, 5 Day Turnaround, 3 Year
	2	VM1001VMCRADLE DOCK WITH INTEGRAL POWER SUPPLY, 10 TO 60 VDC	SVCACC-MOB3 AddOn, Edge Service, Accessory Service, Mobility, 3 Year
	OR	VM3001VMCRADLE DOCK WITH INTEGRAL POWER SUPPLY, Enhanced I/O, 10 TO 60 VDC	SVCACC-MOB3 AddOn, Edge Service, Accessory Service, Mobility, 3 Year
	3	VM1010BRKTKIT Thor U-Bracket mount kit, includes U-Bracket, Adapter Bracket and hardware	
Optional	4	9000033PLATE RAM Ball Mounting Backer Plates (QTY 2) with Nuts and Bolts	

(These two plates can be mounted on each side of the forklift roof. Various RAM balls can be attached to these plates to avoid having to drill mounting holes or weld to the forklift.)

Thor VM3A with Fixed AC Power

Standard AC Power Connection for IT Setup/ Staging



Part Number	Description	Service
1	VM3A-LON-1A4A20x VM3A Indoor Capacitive / Internal Antenna / Client Pack	SVCVM3A-SG3N VM3A, Edge Service, GOLD Maintenance Contract, 5 Day Turnaround, 3 Year
2	VM3001VMCRADLE DOCK WITH INTEGRAL POWER SUPPLY, Enhanced I/O, 10 TO 60 VDC	SVCACC-MOB3 AddOn, Edge Service, Accessory Service, Mobility, 3 Year
3a	VM1001BRKTKIT RAM mount kit, <u>Round Base, Short arm</u> 5inch (128 mm)	3b VM1004BRKTKIT RAM mount kit, <u>Clamp Base, Short arm</u> 5inch (128 mm)
OR	VM1002BRKTKIT RAM mount kit, <u>Round Base, Medium arm</u> 8.5inch (215 mm)	OR VM1005BRKTKIT RAM mount kit, <u>Clamp Base, Medium arm</u> 8.5inch (215 mm)
OR	VM1003BRKTKIT RAM mount kit, <u>Round Base, Long arm</u> 13inch (330 mm)	OR VM1006BRKTKIT RAM mount kit, <u>Clamp Base, Long arm</u> 13inch (330 mm)
4	VM1078CABLE POWER CABLE ADAPTER FOR AC POWER SUPPLY	
5	VX89531PLATE RAM METAL TABLE STAND PLATE, NO BALL INCLUDED	
6	VM1302PWRSPLY AC/DC POWER SUPPLY, (C14 TYPE POWER CORD REQUIRED)	
7	AC Cord See Page 29 for Country Specific AC Cord	
8	VM1052CABLE VM SERIES USB Y CABLE - USB/USB1 PORT TO USB TYPE A PLUG 6 FT (1.8m) HOST AND USB TYPE A SOCKET 0.5 FT (0.15m) CLIENT	

VM1052CABLE is required on VM3A for USB Communications via Android Debug Bridge (ADB)

Thor VM3A Forklift Install

Migrating Intermec CV30/CV60 to Thor VM3A

Power Supply

For migrating an existing CV30/CV60 installation to Thor VM3A, most accessories can be re-used with the Thor VM3A.
 If using the existing CV30/CV60 power supply installation, the VM3078CABLE adapter cable is required to power the Thor VM3A.
 Dock: Use VM1002VMCRADLE, does include "D" ball for Dock but does not include DC power cable

Mounts

Reuse CV30/CV60 single ball "D" RAM Mount
 If "E" Ball is in use, it will need to be changed to "D".

Scanners

Reuse existing Intermec SR61 or Honeywell Granit Scanners.



VM3A Computer



VMX004VMCRADLE Dock Only
 (Includes "D" Ball / No DC Power Cable)



VM3078CABLE Cable adapts CV30/ CV60 power cable to VM Series and CV41 docks
 (Adapts 5-Pin Connector to VM Series Docks)

Part Number	Description
1 CV30A0E1100803	Available, Standard, WM5 WWE, TE2000 License, No SD, 802.11b/g ETSI [803]
2 805-813-001	Vehicle Mounting Kit, 1½" Dual Ball Mount (5½" Mounting Arm with 1½" Ball)
3 203-779-001	Kit, DC/DC Converter, 6-60V , RoHS
OR 203-832-001	Kit, DC/DC Converter, 15-96V , RoHS
4 VE011-2003	Mounting kit, keyboard, CV30 (Attaches small keyboard VE011-2022 to the CV30)
5 VE011-2022	Keyboard, compact, CV30 (Small (space constrained) QWERTY keyboard w/ TE template overlays)

Thor VM3A Forklift Install

Migrating Intermec CV31/ CV61 to Thor VM3A

Power Supply

For migrating an existing CV31 / CV61 installation to Thor VM3A, most accessories can be re-used with the Thor VM3A.
 If using the existing CV31/ CV61 power supply installation, the VM3079CABLE adapter cable is required to power the Thor VM3A.
 Dock: Use VM1002VMCRADLE, does include "D" ball for Dock but does not include DC power cable

Mounts

Reuse CV61 single ball "D" RAM Mount
 If "E" Ball is in use, it will need to be changed to "D".

Scanners

Reuse existing Intermec SR61 or Honeywell Granit Scanners.



Part Number	Description
1	CV61A11XPAN80000 CV61A, Standard Touch,1GB RAM, Windows XP Multilingual 40GB Solid State Drive,802.11 a/b/g/n (Worldwide)
OR	CV61A127MAN80000 CV61A, Standard Touch,2GB RAM, Windows 7 Multilingual 40GB Solid State Drive,802.11 a/b/g/n (Worldwide)
2	203-956-001 Vehicle Mounting Kit, Stubby Extra Duty RoHS (Includes CV61 Back Plate, 5" Arm, 2x Extra Duty 3.375" Balls.
3	203-950-001 KIT, WIRING, DIRECT, CV61 (For use direct wire 6-60V DC trucks to CV61 DC/DC input. Not for use with Heated touch screen.)
6	G9A-KB001-02 CV60 - Keyboard Mounting Kit (Tray mount attaches directly to CV61. Fully swivels. Compatible with all rugged keyboards.)
7	340-053-003 Keyboard, 101 Key, Backlit SLK-101 Win RoHS (PS/2, Windows layout)



VM3A Computer

VMX004VMCRADLE Dock Only
(Includes "D" Ball / No DC Power Cable)



VM3079CABLE

Cable adapts CV31/ CV61 power cable to VM Series and CV41 docks

(Adapts 6-Pin Connector to VM Series Docks)

Thor VM3A Forklift Install

Migrating LXE VX8/ VX9 to Thor VM3A

Power Supply

Connect VX8/VX9 power cable directly to the dock if the screen blanking option is not used

Adapter cable (VM1082CABLE) available to allow the VX8 or VX9 power cable to be reused in screen blanking applications

Dock: Use VM1002VMCRADLE, does include "D" ball for Dock but does not include DC power cable

Mounts

Reuse VX8 or VX9 single "D" ball RAM mount



VM3A Computer



VMX004VMCRADLE Dock Only
(Includes "D" Ball / No DC Power Cable)



VX8/VX9 Rear Mounting

Thor VM3A Forklift Install

Migrating LXE VX6/ VX7 to Thor VM3A

Power Supply

Adapter cable VM1077CABLE enables reuse of the VX6/VX7 power cable

Dock: Use VM1003VMCRADLE, Dock Only does not include any mounts or DC power cable

Mounts

Reuse VX6 or VX7 single "D" ball RAM mount

Adapter Bracket for U-Bracket mount VM1011BRACKET



VM1077CABLE ADAPTER CABLE FOR VX5/VX6/VX7 DC POWER CABLE



VX6



VX7



VX6/VX7 Rear RAM Mounting



VM3A Computer



VM3003VMCRADLE Dock Only (No Mounts/ No DC Power Cable)



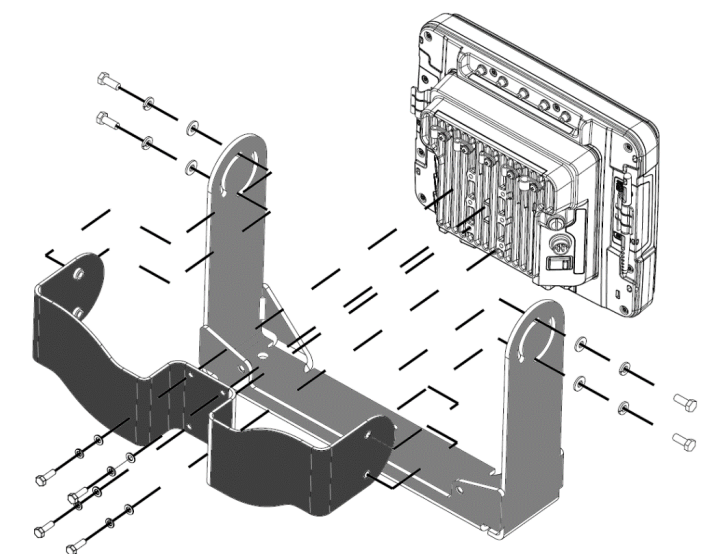
VX6 U-Bracket



VX7 U-Bracket



VM1011BRACKET Thor Adapter Bracket for VX1, VX2, VX4, VX6 & VX7 U-Bracket Mounts



Exploded View of adapter plate installed into U-Bracket.

Thor VM3A Forklift Install

Migrating VC5x9x to Thor VM3A

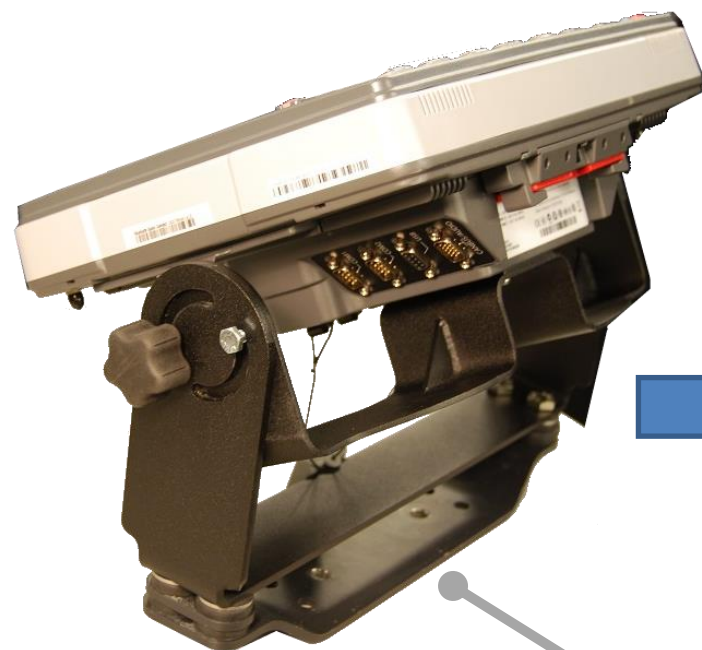
Power Supply

Adapter cable VM3080CABLE enables reuse of VC5x9x power cables

Dock: Use VM1002VMCRADLE, does include "D" ball for Dock but does not include DC power cable

Mounts

Reuse VC5x9x U-Bracket mount with Adapter Bracket VM1012BRACKET



VC5x9x Mounting plate

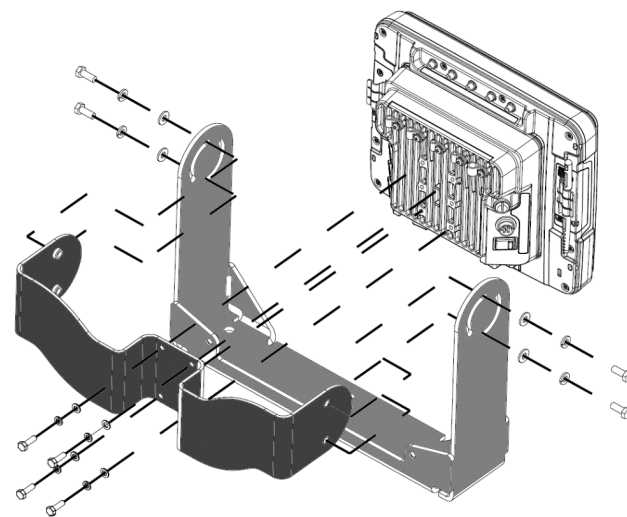


Front View



Top View

VM1012BRACKET Adapter bracket, VM1A, VM1, VM2 and VM3 to VC5090 mounting bracket.



Exploded View of adapter plate to VC5x9x mounting bracket.



VM3A Computer



VMX004VMCRADLE Dock Only (Includes "D" Ball / No DC Power Cable)



VM3080CABLE Cable adapts VC5090 power cable to VM Series and CV41 docks

Thor VM3A I/O Connectors

VM3001VMCRADLE DOCK WITH INTEGRAL POWER SUPPLY, Enhanced I/O, 10 TO 60 VDC, DC POWER CABLE INCLUDED



VM3010BRKTKIT VM3 RAM mount kit for numeric keypad or scanner holder



With Dust Cover installed



Ethernet RJ45
USB Host type A
(USB for software upgrades)



COM1 COM2
DB9M Serial Ports +5V Pin 9
Serial Scanners



VM1052CABLE USB Y cable - DB9M to USB type A plug 6ft. (1.8m) client and USB type A socket 0.5ft. (0.15m) host.

(Connects to USB1 connector)

VM3052CABLE VM3 USB Y cable - DB15M to two USB type A Host ports.

(Connects to USB2 connector)



Scanner & Accessories Options

1980i / 1981i Mounts



TOOLBAL Scanner take up reel/balancer (scanner sold separately)



VMHOLDER3K Vehicle Mount Kit (VM Holder) (scanner sold separately)



VM3010BRKTKIT VM3 RAM mount kit

VM3012BRKTKIT Scanner Holder for Vehicle Mount, holder cup only

Note: Requires VM3001VMCRADLE for mounting



Scanner Heater

521L-12-S3 12V, works with 8500 and Granit series of scanners

521L-24-S3 24V, works with 8500 and Granit series of scanners

521L-3648-S3 36-48V, works with 8500 and Granit series of scanners



Scanner Heater with Cable Retractor

520L-12-S3 12V, works with 8500 and Granit series of scanners

520L-24-S3 24V, works with 8500 and Granit series of scanners

520L-3648-S3 36-48V, works with 8500 and Granit series of scanners

Scanner & Accessories Options

1981i Bluetooth Spare Battery/ Charging



BAT-SCN01A Battery: Lithium-ion battery for Voyager 1202, 1452g, Xenon 1902, Granit 1911i, Granit 1981i, 3820 and 3820i cordless scanners (3.75V 2400mAh 9Wh)



HOLSTER-INDUSTRIAL When clipped to a user's belt holster enables storage of Granit 1911i and 1981i cordless imagers while leaving hands-free to accomplish other tasks (scanner sold separately)



MB4-BAT-SCN01NAW0 Charger: 4-bay battery charger (NA) for use with Voyager 1202g, 1452g, Xenon 1902, Granit 1911i, Granit 1981i, 3820, 3820i, Lithium-ion batteries, NA wallmount power supply (PS-050-4000W-NA), two mounting screws (100006897), and Instructions (MBC-INST)



50110266-001FRE END CAP, CORDLESS, 1911i & 1981i



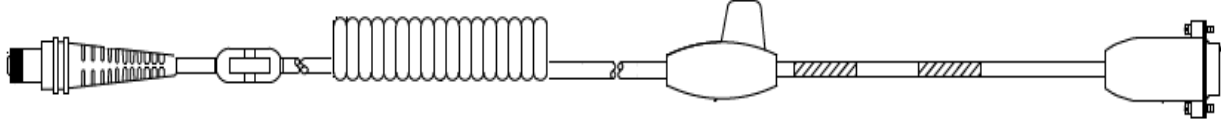
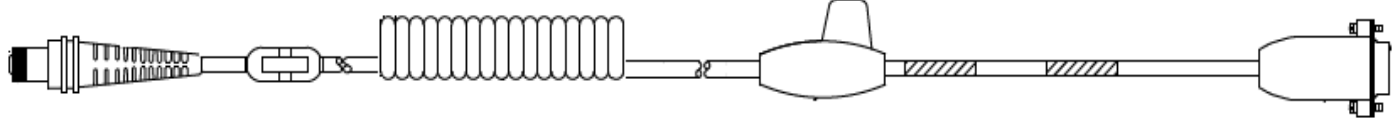
COB02 Charge-Only Base: only 1 scanner can be charged at a time, power supply must be purchased separately

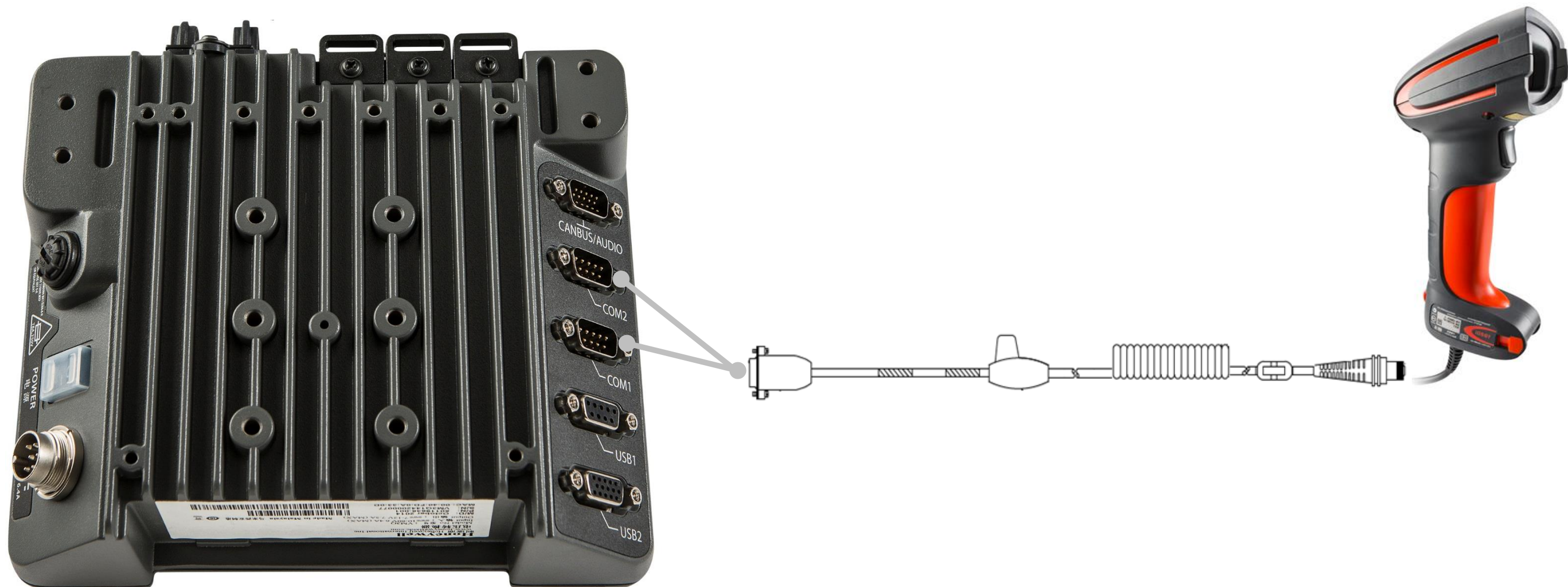
Select appropriate regional Power Supply PS-05-1000W-x

- PS-05-1000W-A** Power Supply: North America plug, 1.0A @ 5.2 VDC 90-255VAC @ 50-60Hz
- PS-05-1000W-C** Power Supply: EU plug, 1.0A @ 5.2 VDC 90-255VAC @ 50-60Hz
- PS-05-1000W-U** Power Supply: UK plug, 1.0A @ 5.2 VDC 90-255VAC @ 50-60Hz
- PS-05-1000W-I** Power Supply: Australia, New Zealand plug, 1.0A @ 5.2 VDC 90-255VAC @ 50-60Hz

Granit Scanner Options


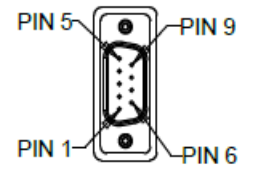
Serial Cable Types

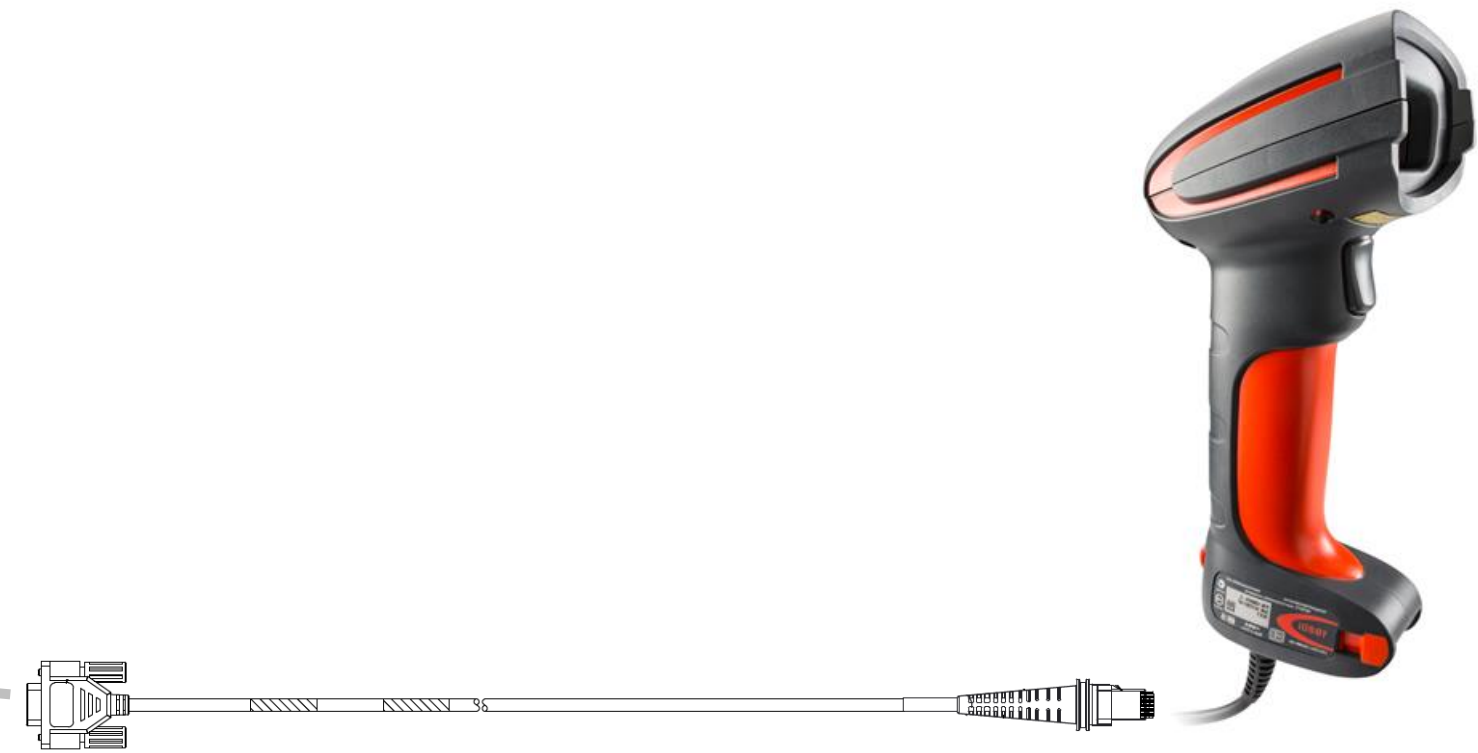
SERIAL					
CBL-020-300-C00-01	Cable - Industrial: RS232 (5V signals), black, DB9 Female, 3m (9.8'), coiled, 5V external power with option for host power on pin 9	3m	COILED		
					
CBL-020-500-C00-01	Cable - Industrial: RS232 (5V signals), black, DB9 Female, 5m (16'), coiled, 5V external power with option for host power on pin 9	5m	COILED		
					



Granit Scanner Options

USB Cable Types

Thor CV41 / VM1 / VM1A / VM2 / VM3 Custom USB				
CBL-501-300-S00	CABLE, USB,9PIN DB9 MALE 5V, INDUSTRIAL	3m	STRAIGHT	Connect direct to the Smart Dock to DB9F USB/USB1 Port
				



Note: This cable only supports USB Keyboard (PC) interface.

Keyboard Options

External Keyboard Options

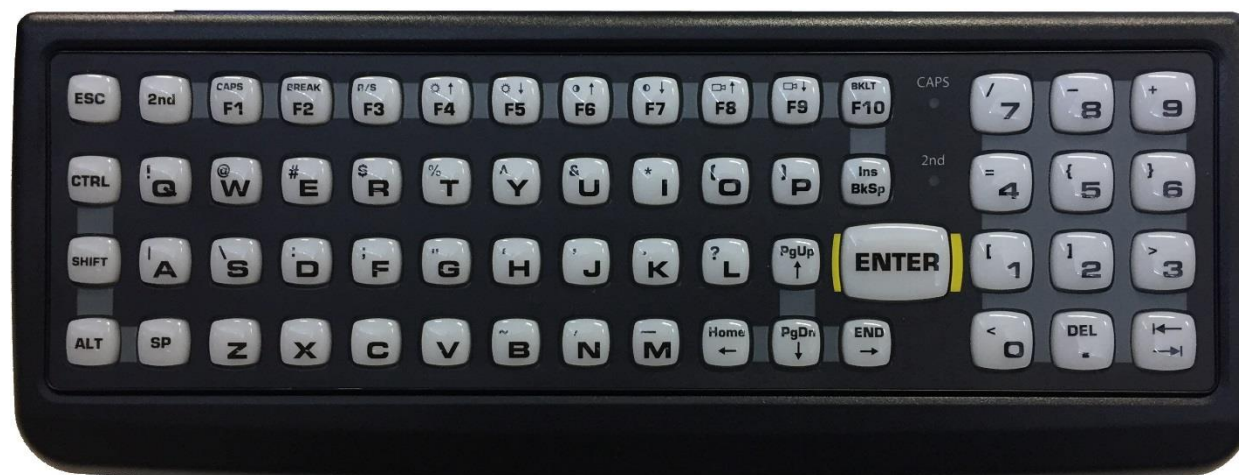


9000160KEYBRD Windows "Laptop" Style 95 key rugged keyboard with integrated 2 button mouse, USB Interface (DB9M Connector)



9000161KEYBRD THOR NUMERIC KEYPAD, 21 KEY, USB (DB9M Connector)
Requires VM3010BRKTKIT and VM3001VMCRADLE for mounting

(For use with gloved operators in Cold Storage).



9000151KEYBRD Honeywell 60 KEY RUGGED KEYBOARD, QWERTY, PS2. (DB9M Connector)
Requires adapter cable 9000070CABLE for use with VM1/VM2/VM3. The backlight will not automatically come on at boot up. The backlight can be controlled by simultaneously pressing Ctrl-2nd-F10.



9000070CABLE PS2 to USB Adapter cable for keyboards (DB9M - DB9F)

Miscellaneous

Replacement Parts

Note: VM3A540FRONTPNL Indoor RESISTIVE and VM3A542FRONTPNL Defroster RESISTIVE are interchangeable on the VM3A as they both use the 400NIT display.



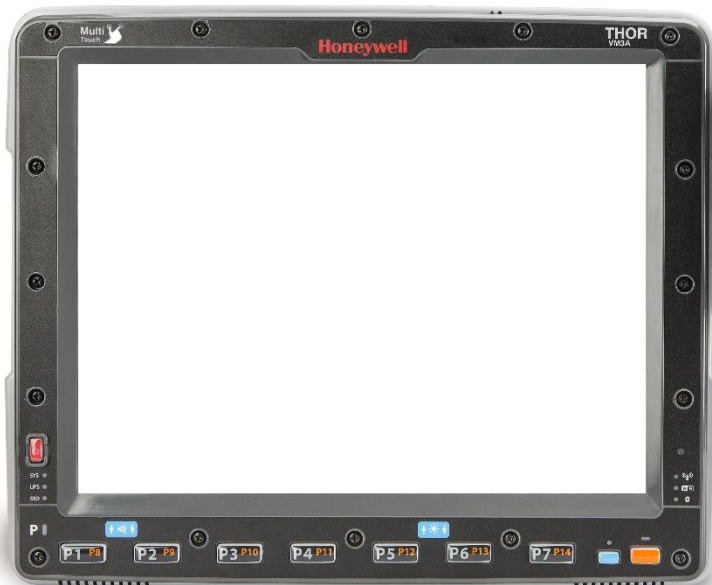
VM3A540FRONTPNL Thor VM3A replacement front panel, Indoor RESISTIVE



VM3A542FRONTPNL Thor VM3A replacement front panel, Defroster RESISTIVE



VM3A541FRONTPNL Thor VM3A replacement front panel, Outdoor RESISTIVE



VM3A543FRONTPNL Thor VM3A replacement front panel, Indoor PCAP



VM3A544FRONTPNL Thor VM3A replacement front panel, Outdoor PCAP

Miscellaneous

Replacement Parts



VM2276ANTENNA Set of two Dual Band WLAN Whip Antennas - attach directly to computer

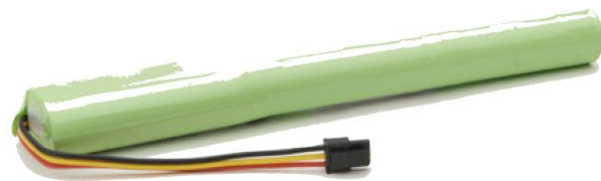


VM1277ANTENNA REMOTE 802.11 DUAL BAND ANTENNA KIT 15 FT (4.6M), includes one antenna, cable, flat bracket and right angle bracket



VM3512LCDFILM Screen Protective Film Anti-glare, Resistive, 10 pack

VM3513LCDFILM Screen Protective Film Anti-glare, PCAP, 10 pack



VM1376BATTERY VM1 replacement UPS battery.



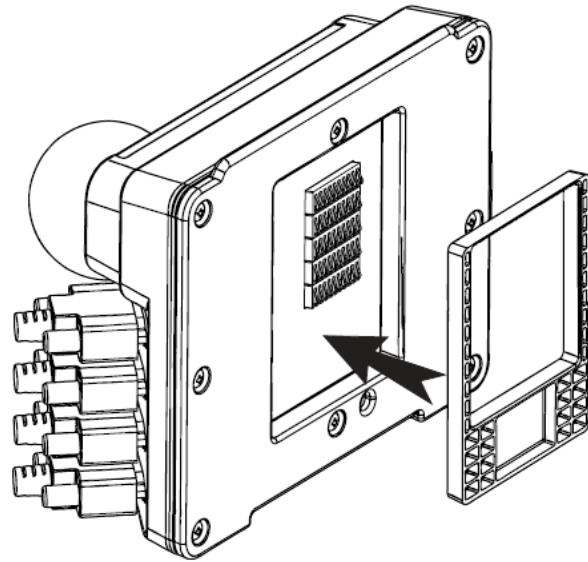
VX89351PWRSPLY Screen Blanking Switch Box Requires VM1080CABLE



VM1080CABLE Screen Blanking Box Cable VM1 screen blanking box cable, D9F to bare wires, 6ft. (1.8m).

Miscellaneous

Replacement Parts



QM1500SPACER
Kit includes 25 anti-vibration spacers for standard docks (Dock SKU starts with "VM1" or "CV41")



QM3500SPACER
Kit includes 25 anti-vibration spacers for enhanced docks (Dock SKU starts with "VM3" or "VMX")



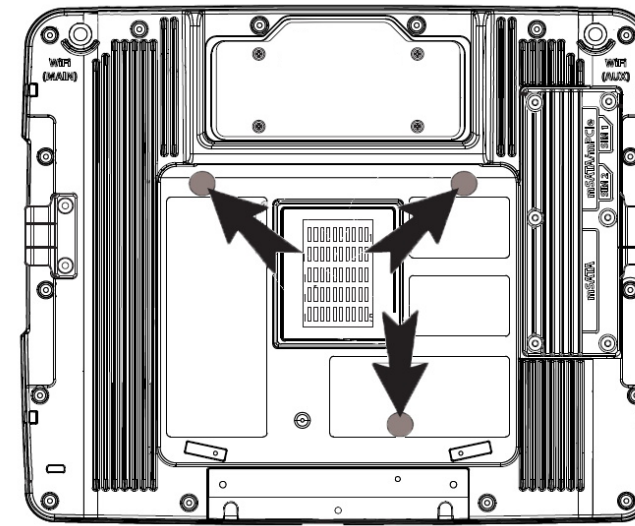
Approximate spacer dimensions:
104.33mm x 75.33mm x 7.32mm
4.11" x 2.97" x 0.29"



Approximate spacer dimensions:
104.31mm x 95.33mm x 7.30mm
4.08" x 3.75" x 0.29"

QM1500SPACER Anti-vibration spacer for the VM1001VMCRADLE, VM1002VMCRADLE or VM1003VMCRADLE docks, 25 pack. Order VM1500RETROFIT pad kit separately

QM3500SPACER Anti-vibration spacer for the VM3001VMCRADLE or VMX004VMCRADLE docks, 25 pack. Order VM1500RETROFIT pad kit separately



VM1500RETROFIT Anti-vibration foam pad kits – upgrades 32 VM1, VM2, VM3 or CV41 computers

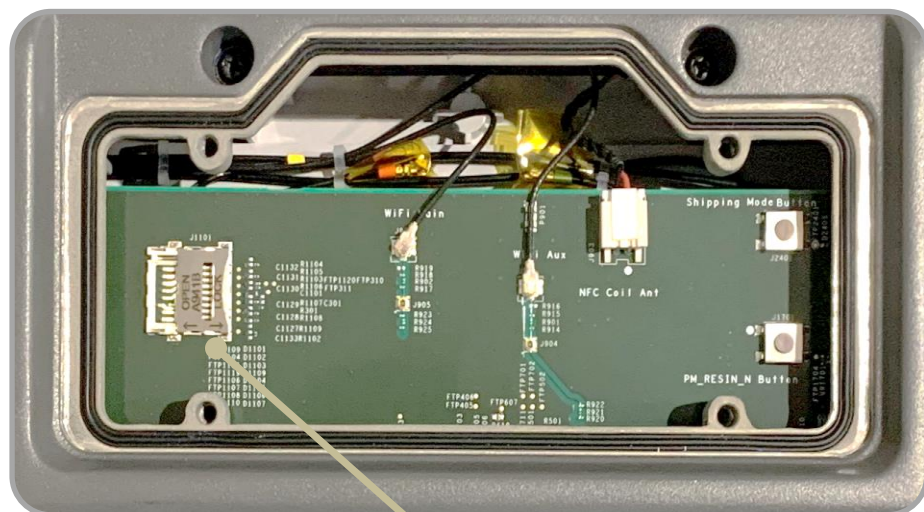


VM1DCONNRETROFIT Dock Power Connector Nut repair kit for the VM1 and CV41 docks, 10 nuts and tool



Miscellaneous

Honeywell Recommended – ATP Industrial Grade Micro SD Cards



Part Number	Description
1 856-065-004	MICRO-SD CARD, <u>1GB</u> , AF1GUDI, ROHS
OR 856-065-005	MICRO-SD CARD, <u>2GB</u> , AF2GUDI, ROHS
OR 856-065-006	MICRO-SD CARD, <u>4GB</u> , AF4GUDI, ROHS
OR 856-065-007	MICRO-SD CARD, <u>8GB</u> , AF8GUDI, RoHS

Why ATP Industrial Grade SD?

ATP's SIP (System-In-Packaging) manufacturing process encapsulates all exposed components and points of failure to ensure the products are fully waterproof, shockproof, and ESD (Electro-Static Discharge) proof. ATP Industrial Grade SD/SDHC Cards can withstand at least an operating/storage temperature range of at least -40 to 85 degrees Celsius. In addition to this temperature range, the cards are completely waterproof, dustproof, and ESD (Electro-Static Discharge) proof. All ATP Industrial Grade SD/SDHC cards are produced under a stringent RoHs and Green Package compliant manufacturing process to guarantee a consistent high level of build quality and performance. ATP Industrial SD cards deliver outstanding performance with read speed (seq) up to 18MB/sec and write speed (seq) up to 16MB/sec. All ATP Industrial Grade CF, SD, USB drives, and SSDs are constructed using best-in-class SLC(Single-Level Cell) components with enhanced Error Correction Code(ECC) functions and wear levelling algorithms. This results in MTBF ratings over 2 million hours and the highest write cycle lifetimes in the industry.

AC Cords

Part Number	Description
50117503-001	Power cord, Argentina, Isled CB
50117501-001	Power cord, Australia, 2.5 m (8.2 ft), Isled CB
50117502-001	Power cord, Brazil, 2.5 m (8.2 ft), D60S-HB
19-19807	Cable, China cord set (CCC), 2.5 m (8.2 ft)
9000091CABLE	AC Power Cord, Denmark
77900508E	Power cord, Europe, IEC320-C13, 2.5 m (8.2 ft)
50127245-001	Power cord, 1.5 m (4.9 ft), India
9000092CABLE	AC Power Cord, Italy
321-500-002	AC Power Cord, Japan
9000093CABLE	AC Power Cord, Switzerland
77900507E	Power cord, UK, IEC320-C13, 2.5 m (8.2 ft)
77900506E	Power cord, US, IEC320-C13, 1.85 m (6.07 ft)

Disclaimer

Honeywell International Inc. (“HII”) reserves the right to make changes in specification and other information contained in this document without prior notice, and the reader should in all cases consult HII to determine whether any such changes have been made. The information in this publication does not represent a commitment on the part of HII.

HII shall not be liable for technical or editorial errors or omissions contained herein; nor for incidental or consequential damages resulting the furnishing, performance, or use of this material.

This document contains proprietary information that is protected by copyright. All rights are reserved. No part of this document may be photocopied, reproduced, or translated into another language with-out prior written consent of HII.

Web Address: www.honeywellaidc.com

The Bluetooth trademarks are owned by Bluetooth SIG, Inc., U.S.A and licensed to Honeywell.

Thor and Mobility Edge are trademarks or registered trademarks of Honeywell International Inc. in the United States and/or other countries.

Android is a trademark or registered trademark of Google Inc. in the United States and/or other countries.

Qualcomm and Snapdragon are trademarks or registered trademarks of Qualcomm Incorporated in the United States and/or other countries.

Other product names mentioned in the manual may be trademarks of registered trademarks of their respective companies and are the property of their respective owners.

All rights reserved.